

ROF-TLS C-band/L-band Tunable laser light source

ROF-TLS tunable laser light source, the use of high-performance DFB laser, wavelength tuning range >34nm, fixed wavelength interval (1GHz\50 GHz\100GHz) tunable laser light source, its wavelength internal locking function can ensure that the output light wavelength or frequency on the ITU grid of DWDM channel. It has the characteristics of high output optical power (20mW), narrow line width, high wavelength accuracy and good power stability. It can realize remote control of instruments, mainly used in WDM device testing, optical fiber sensing, PMD and PDL measurement, and optical coherence tomography (OCT).

Feature

- wavelength tuning range >34nm
- Output power > 20mW
- Narrow line width: < 1MHz
- The wavelength is locked internally
- Remotely controlled



Application

- WDM device test
- Optical fiber sensing system
- PMD and PDL tests
- Optical Coherence Tomography (OCT)

Parameters

Parameter		Symbol	Min	Typ	Max	Unit
Wavelength *	C-band	λ	1529		1567	nm
	L-band	λ	1563		1607	nm
Wavelength tuning range *	C-band		34	40		nm
	L-band			40		
Wavelength conversion velocity				2		s
Wavelength accuracy			-1.8		1.8	GHz
Tuning step			1	50	100	GHz
Optical output power **		Po	10	13	16	dBm
3dB spectral width		$\Delta\lambda^*$	0.1	1	3	MHz
Edge mode rejection ratio		SMSR	40	50		dB
Polarization extinction ratio		PEX	20			dB
Relative noise intensity		RIN		-145	-135	dB/Hz

Power stability	P _{SS}			±0.01	dB/5min
	P _{LS}			±0.02	dB/8h
Output isolation specification	ISO	30	35		dB
Overall dimensions L x W x H		320×220×90 mm (Desk) 100×82×30 mm (Module)			
Power requirements		AC 220V ±10% (Desk) DC+5V (Module)			
Output fiber		PMF			
Optical connector		FC/APC			

Limiting condition

Parameter	Symbol	Unit	Min	Typ	Max
Operating temperature	Top	℃	-5		55
Storage temperature	Tst	℃	-40		85
Humidness	RH	%	5		90

Typical spectrum

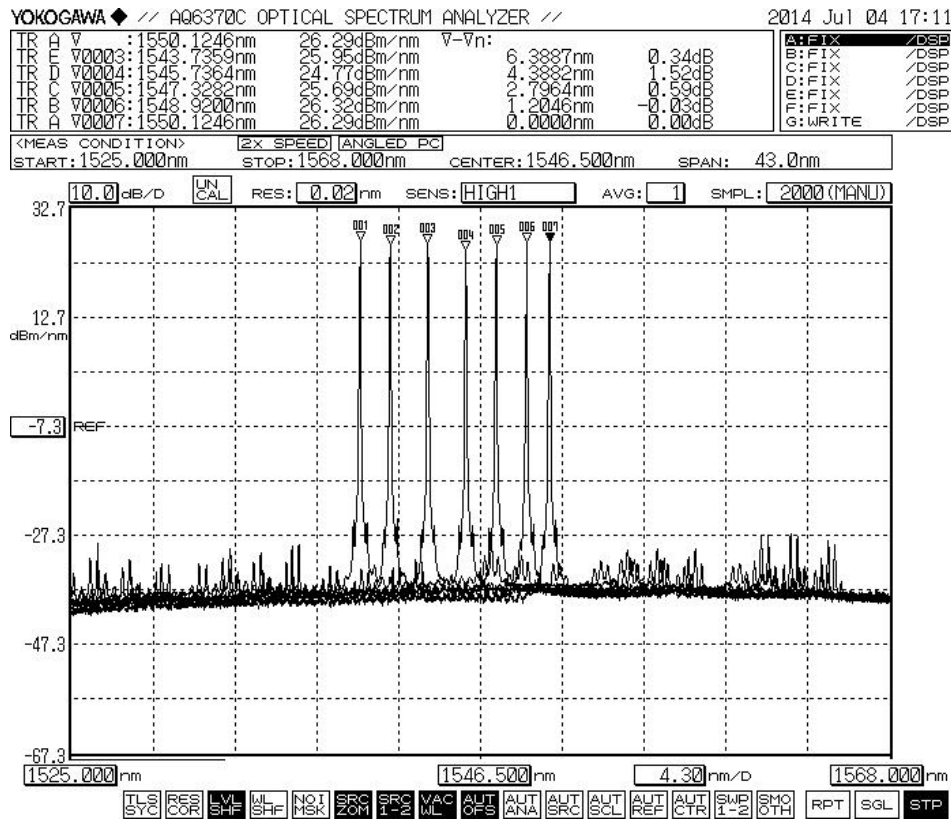


FIG. 1 Typical spectrum

Ordering information

ROF	TLS	X	XX	XX	XX	X
	tunable laser light source	C---C band L---L band	power: 13---13dBm 16---16dBm	Tuning step: 01---1GHz 50---50GHz 100---100GHz	Optical fiber connector: FA---FC/APC	Package type: D---Desk M---Module

* please contact our sales if you have special requirements.

Mechanical Diagram(mm)

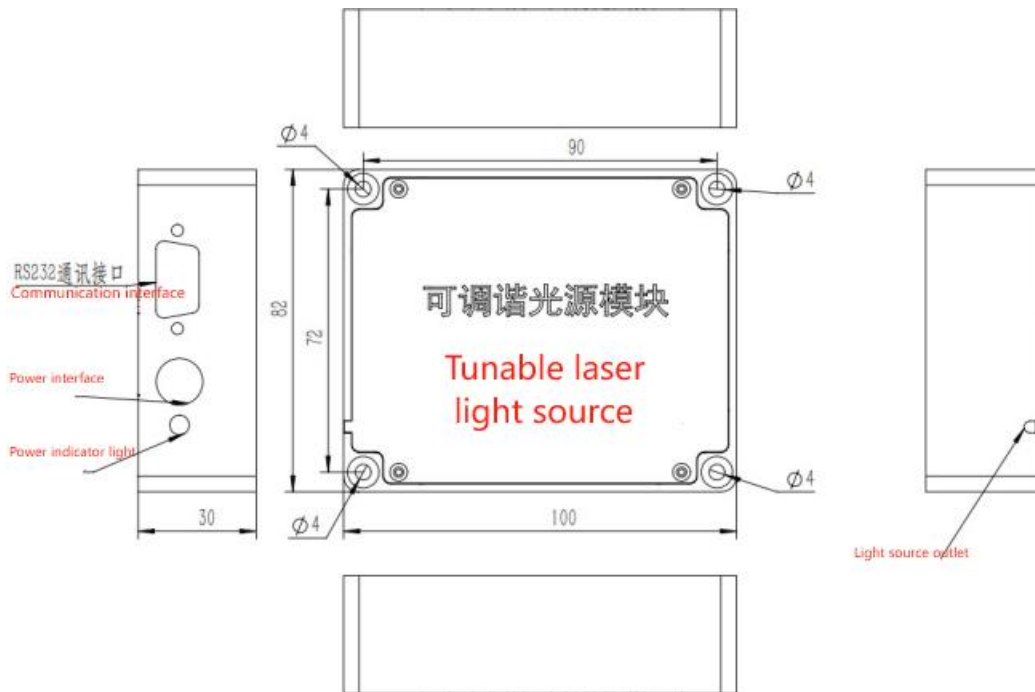


Figure 2 Mechanical dimension diagram of tunable light source module